

STM32_KIT 学习板

KEYSKING 作者

Table of contents 目录

Sheet 1: Project overview (this page)

Sheet 1: 概述 (本页)

Sheet 2: Top & Power

Sheet 2: 顶层框图 & 电源部分

Sheet 3: MCU

Sheet 3: 最小系统

Sheet 4: Peripheral-01

Sheet 4: 功能外设 (1)

Sheet 5: Peripheral-02

Sheet 5: 功能外设 (2)

Peripheral List

1 × RGB LED

2 × KEY

1 × TCRT5000

1 × Relay

1 × Potentiometer ADC

1 × NTC Temperature Sensor

1 × DRV8833 Motor Driver

1 × Servo

1 × Passive Buzzer

1 × UltraSonic

1 × Rotary Encoder

1 × DHT20

1 × OLED Display

1 × BLUETOOTH

1 × TYPE-C

1 × CH343P USART to USB

1 × WS2812 LED Array

1 × RTC Battery

License

This document is open for personal non-profit use

To forward this file, you need to indicate the author KEYSKING

Direct or indirect commercial use is prohibited

Bilibili: keysking / CSDN: keysking / YouTube: keysking

此文档仅向个人非盈利的目的使用开放

转载必须注明：作者 KEYSKING

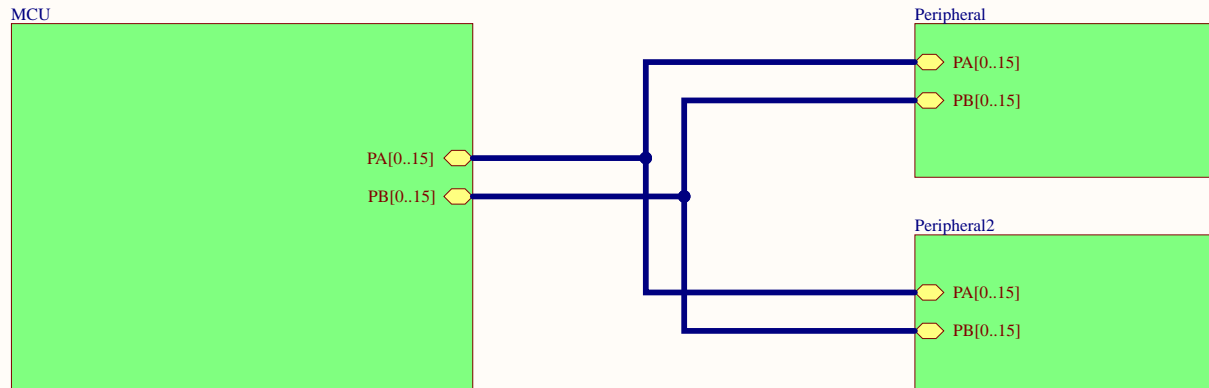
禁止任何直接或间接商用行为

哔哩哔哩关注：keysking

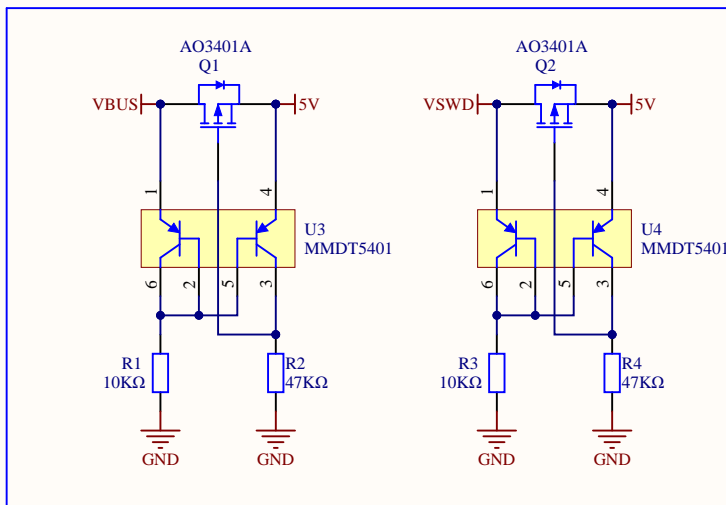
TOP



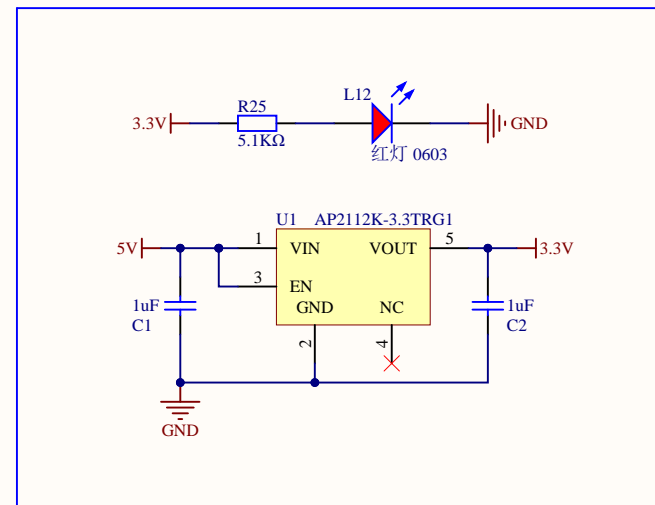
电源和系统框图



电流防倒灌 (实现安全双电源输入)
Anti-backflow protection

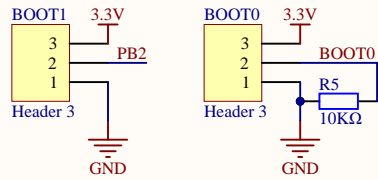


低噪声 3.3V 线性稳压电路
3.3V Power supply

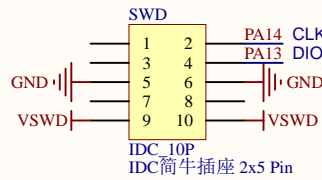


MCU 最小系统

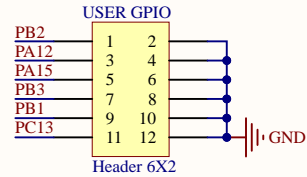
启动模式选择跳线
BOOT0 BOOT1 Selector



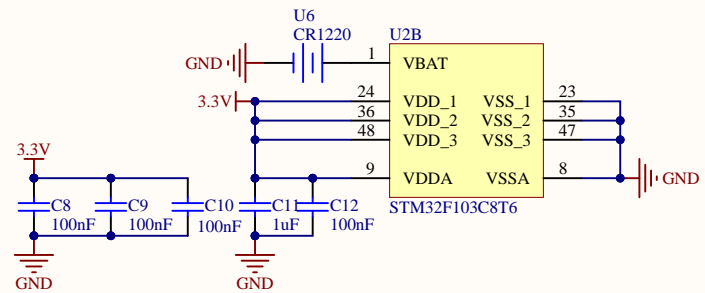
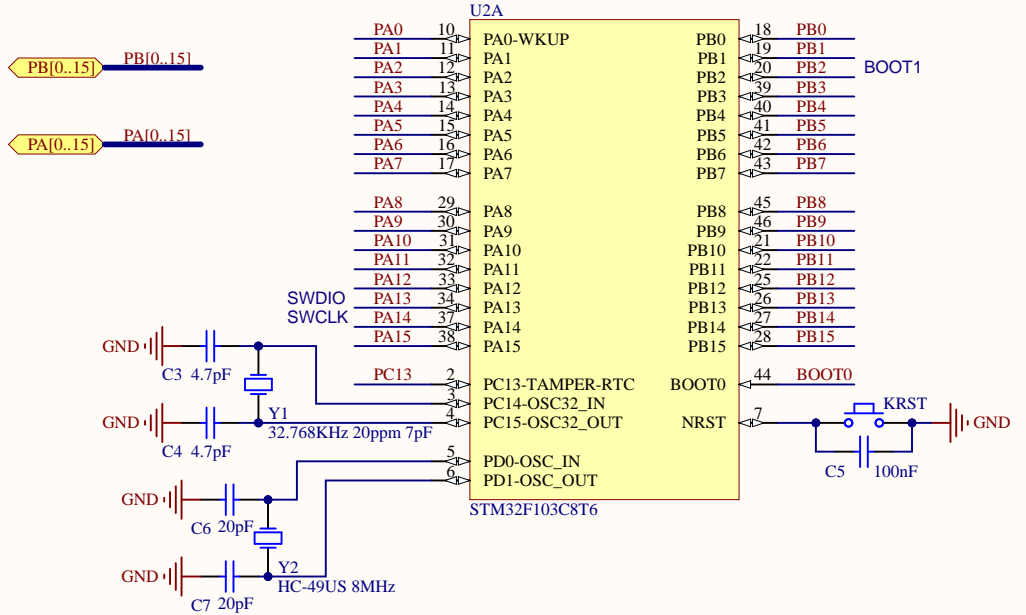
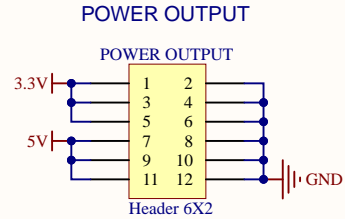
ST-LINK 下载插座
ST-LINK Connector



自定义IO口
USER-DEFINED GPIO



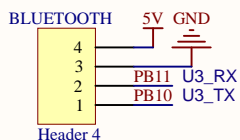
电源插座
POWER OUTPUT



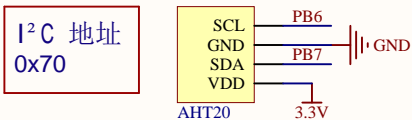
功能外设



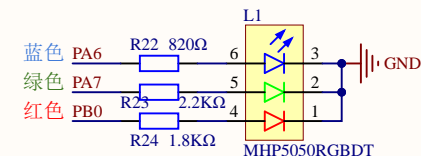
蓝牙 BLE



温湿度传感器 AHT20

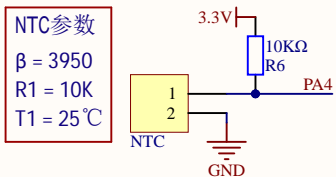


三色灯珠 RGB LED

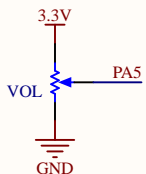


模拟量采集 ADC

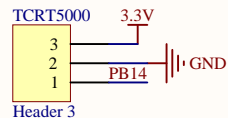
NTC温度线



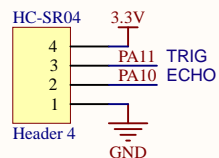
可变电阻 (电位器)



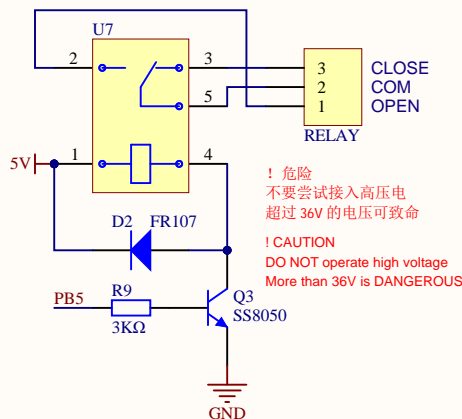
循迹模块 TCRT5000



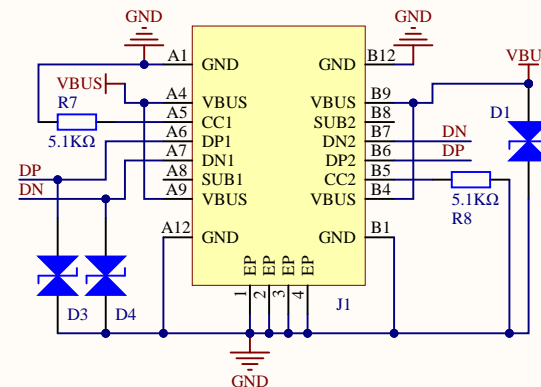
超声波模块 HC-SR04



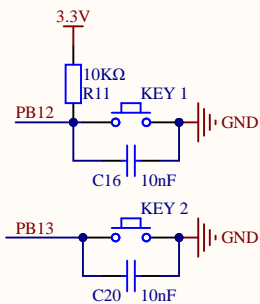
继电器 Relay



USB接口 TYPE-C

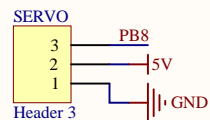


按键 KEYS

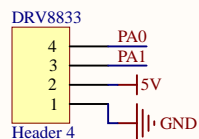


KEY2 无外部上拉
使用时必须打开内部上拉
K2 has no external pullup
Enable internal pullup

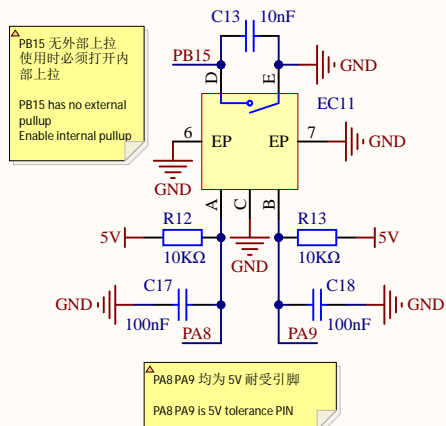
舵机 Servo



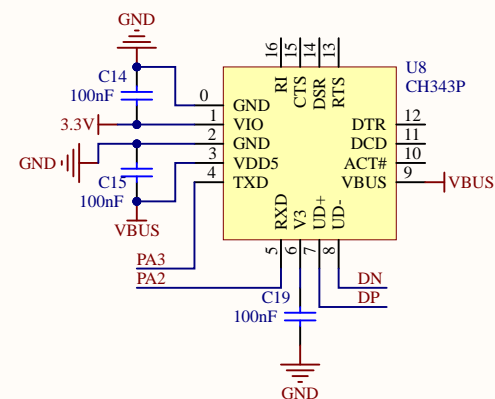
电机驱动 DRV8833



旋转编码器 EC11



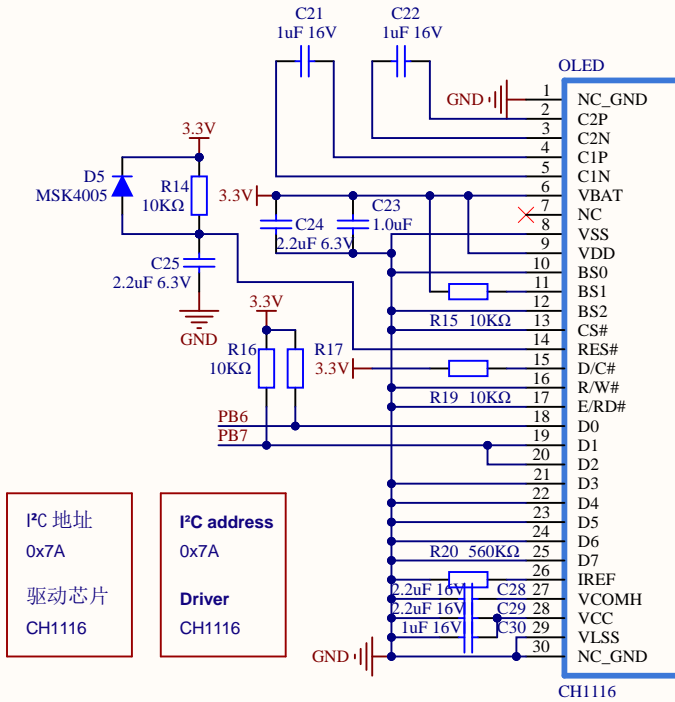
USB转串口 CH343P



功能外设

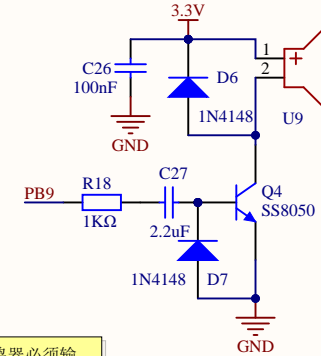
PA[0..15] PA[0..15]
 PB[0..15] PB[0..15]

显示屏 OLED SCREEN



I ² C 地址	I ² C address
0x7A	0x7A
驱动芯片	Driver
CH1116	CH1116

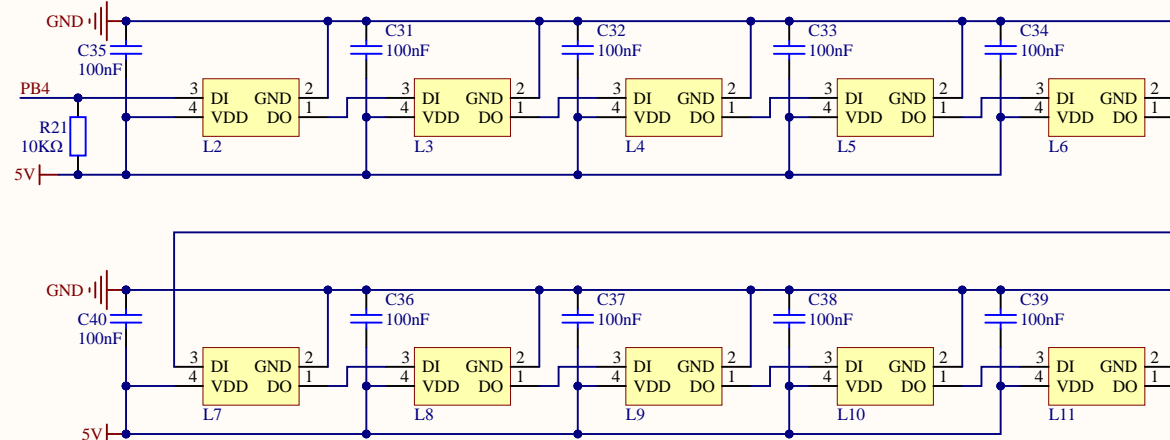
无源蜂鸣器 Passive Buzzer



无源蜂鸣器必须输入PWM。直接给高电平不响。
 The passive buzzer must be driven by PWM. Direct high level will not sound.

可寻址彩灯 WS2812C

WS2812C



PB4 为 5V 耐受引脚
 使用时，必须配置为「开漏输出」模式
 PB4 is 5V tolerance PIN
 Set to open-drain output mode